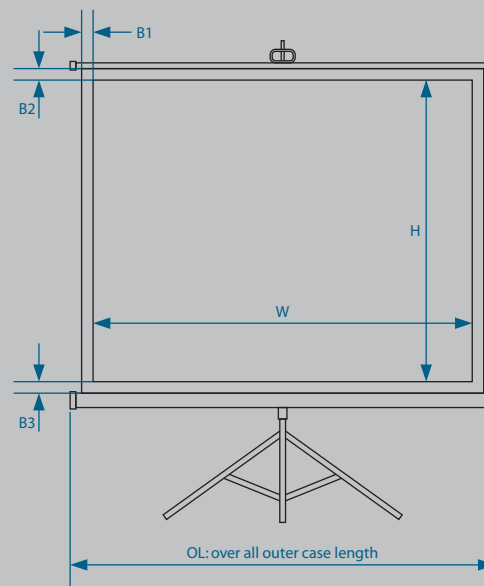
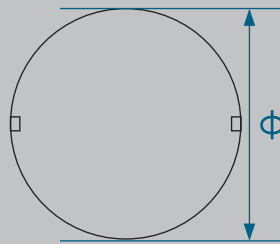
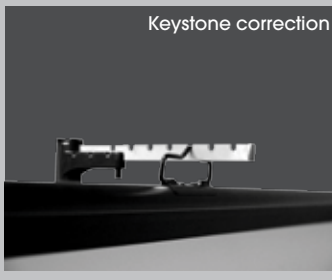


VEGA SCREEN VESTA Tripod



- Lightweight and durable structure for mobility
- 7 levels of built-in keystone eliminator neutralize picture distortion
- Fast and easy to setup and retract
- Flat matte white screen for perfect images
- Strong and durable tripod stand



Specifications

Product Code	Format	Screen Size WxH (inch)	Viewing Area (mm)		B1 (mm)	B2 (mm)	B3 (mm)	OL (mm)		Packing Dimension L x W x H (mm)	N.W. (kg)	G.W. (kg)
			Height	Width				Length	Diameter			
VG-VP50X50MW	Square 1:1	50" x 50"	1270	1270	30	40	30	1405	φ 65	1465 x 170 x 125	7.18	8.68
VG-VP60X60MW		60" x 60"	1524	1524	30	40	30	1659	φ 65	1720 x 170 x 125	7.70	10.00
VG-VP70X70MW		70" x 70"	1778	1778	30	40	30	1913	φ 65	1975 x 170 x 125	8.84	10.95
VG-VP84X84MW		84" x 84"	2134	2134	30	40	30	2269	φ 65	2330 x 170 x 125	11.17	13.30
VG-VP96X96MW		96" x 96"	2360	2360	40	40	40	2495	φ 65	2575 x 170 x 125	11.60	13.80
VG-VP50X67MW	Video 4:3	84" (50" x 67")	1280	1707	30	40	30	1842	φ 65	1900 x 170 x 125	8.96	11.10
VG-VP60X80MW		100" (60" x 80")	1524	2032	40	40	40	2167	φ 65	2245 x 170 x 125	10.32	12.50
VG-VP72X96MW		120" (72" x 96")	1829	2360	40	40	40	2495	φ 65	2575 x 170 x 125	11.50	13.70
VG-VP48X84MW	HDTV 16:9	97" (48" x 84")	1207	2134	30	400	40	2269	φ 65	2330 x 170 x 125	10.62	12.80
VG-VP54X96MW		110" (54" x 96")	1369	2360	30	400	40	2495	φ 65	2575 x 170 x 125	11.60	13.80