



Future rich Color Dome Camera with 22x Optical Zoom Lens

Key Features

- High sensitivity: 1 lux at F1.6 (Wide)
- Digital Noise Reduction: 3D-DNR reduces noise in various conditions. 4 options (High 1/2, Low 1/2) are available depending on the motion and noise level in the scene.
- Electronic sensitivity enhancement: Auto (Up to 32x) / Fix (Up to 32x)
- 22x zoom lens: 3.79 ~ 83.4 mm (approx. 220x with digital zoom)
- Pan/Tilt speed of max. 300°/s at preset mode and 0.1°/s super fine control at manual mode
- Up to 32 preset positions
- Proportional pan/tilt speed: Pan/Tilt speed varies corresponding to zoom position for easier operation
- 5 degrees upper view for various applications
- Patrol function replays manual camera control of up to 1 minute including PTZ.
- Area title: Displays OSD title for each of 8 panning directions (45 deg each). Pre-programmed title or customized title with up to 16 characters is available.
- Scene File can change various camera setting concurrently according to the scene upon selecting a preset position.
- Privacy Zone can mask up to 8 private areas, such as house windows and entrances/exits.
- VMD (Video Motion Detector) with Sensitivity 32 steps, Mask 8 x 6 areas
- Various I/O terminals: ALARM IN 1 ~ 4 ALARM OUT1/AUX OUT1, AUX2 OUT
- Alarm sources include Terminal 1 ~ 4, VMD and Command alarm. Alarm actions include Preset positions 1 ~ 4, Coaxial alarm output and RS-485 alarm output.

- 16 alphanumeric camera title display
- Internal/Line-lock/Multiplexed Vertical Drive (VD2) synchronization
- Over the coaxial cable or RS-485 data communication

Standard Accessories

- | | |
|---|--|
| • Operating Instructions 1 pc. | • 8P Alarm Cable 1 pc. |
| The following items are for installation. | • 4P Alarm Cable 1 pc. |
| • Decorative Cover 1 pc. | • Connector for 24 V AC
(only for WV-CS574) 1 pc. |
| • Dust Protection Sheet 1 pc. | |

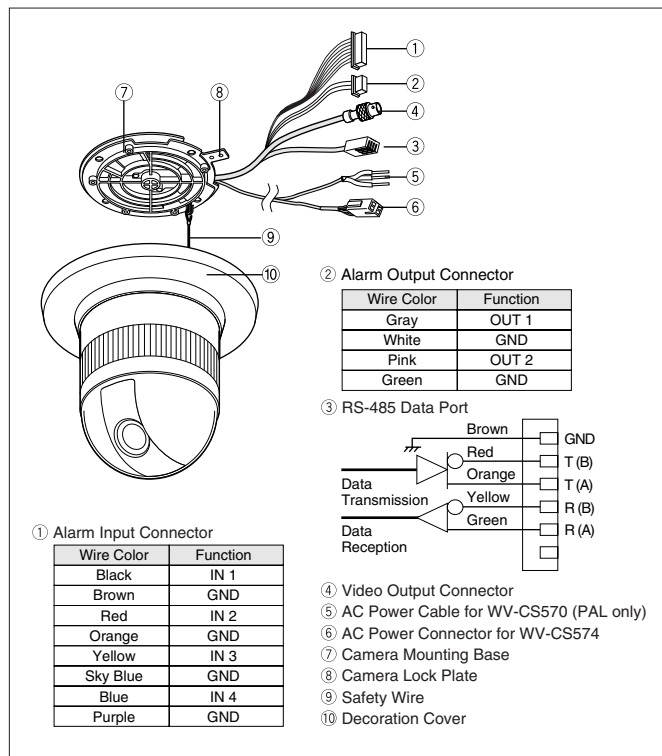
Optional Accessories

<p>Ceiling Mount Bracket WV-Q105</p> 	<p>Embedded Ceiling Mount Bracket WV-Q106</p> 	<p>Pendant Mount Bracket WV-Q117</p> 	<p>Wall Mount Bracket WV-Q118</p> 
<p>Mirror Dome Cover WV-CS2M</p> 	<p>Smoke Dome Cover WV-CS2S (PAL only)</p> 		

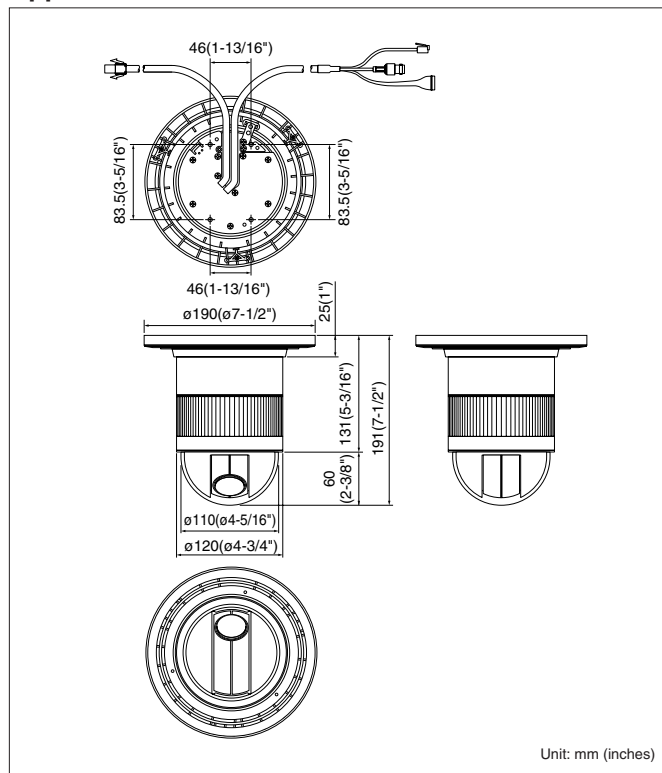
Specifications

TV System	NTSC	PAL
Camera	1/4 inch interline transfer CCD	
Effective Pixels	768 (H) x 494 (V)	752 (H) x 582 (V)
Scanning Mode	2:1 interlace	
Scanning Area	3.59 (H) x 2.70 (V) mm	
Scanning Frequency	Horizontal: 15.734 kHz Vertical: 59.94 Hz	Horizontal: 15.625 kHz Vertical: 50 Hz
Scanning Line	525 lines	625 lines
Horizontal Resolution	480 TV lines minimum (Color NORMAL mode) 510 TV lines minimum (Color HIGH mode)	
Minimum Illumination	1.0 lux (Color) at F1.6 (Wide)	
Signal-to-Noise Ratio	50 dB (AGC: OFF, Weight: ON)	
White Balance	AWC, ATW1, ATW2	
Light Control	ALC / MANUAL	
AGC	ON (LOW, MID, HIGH) / OFF	
Electronic Shutter	OFF (1/60), AUTO, 1/100, 1/250, 1/500, 1/1,000, 1/2,000, 1/4,000, 1/10,000 s	OFF (1/50), AUTO, 1/120, 1/250, 1/500, 1/1,000, 1/2,000, 1/4,000, 1/10,000 s
Electronic Sensitivity UP	OFF / AUTO (2x, 4x, 6x, 10x, 16x, 32x) / FIX (2x, 4x, 6x, 10x, 16x, 32x)	
Digital Noise Reduction	High1, High2, Low1, Low2	
Resolution Mode	Normal or High	
Digital Zoom	10x	
Scene File	10 patterns (Shutter, AGC, Sens UP, White balance, VMD, AF mode)	
Video Motion Detection	Sensitivity 32 steps, Mask 8 x 6 areas	
Privacy Zone	ON / OFF, 8 zones	
Camera Title	16 alphanumeric characters	
Auto Focus	Manual (one push) / AUTO (after PTZ operation)	
Synchronization	Internal (INT), Multiplexed Vertical Drive (VD2), Line-Lock (LL)	
Focal Length	3.79 ~ 83.4 mm, 22x zoom (approx. 220x with digital zoom)	
Zoom Speed	approx. 4.0 seconds (Tele ~ Wide) in manual mode	
Zoom Limit	1x ~ 220x (Over 22x is digital zoom)	
Angular Field of View	Horizontal: 2.6° (Tele) ~ 52.3° (Wide), Vertical: 2.0° (Tele) ~ 39.9° (Wide)	
Maximum Aperture Ratio	1:1.6 (Wide) ~ 3.0 (Tele)	
Focusing Range	Object Distance 1.6 m ~ ∞	
Aperture Range	F1.6 ~ 22, Close	
Panning Range	360° endless	
Panning Speed	Manual: approx. 0.1°/s ~ 120°/s, 256 steps, Preset: approx. 300°/s	
Tilting Range	-5° ~ 185°	
Tilting Speed	Manual: approx. 0.1°/s ~ 120°/s, 256 steps, Preset: approx. 300°/s	
Proportional Pan/Tilt Control	Supported	
Number of Preset Positions	32	
Auto Mode	OFF, Home, SEQ, SORT, AUTO PAN, PATROL	
Patrol	1 Program 1 Minute	
Image Hold	ON / OFF	
Digital Flip	ON / OFF	
Area Title	8 area titles, 16 characters/area	
Preset Alarm	ON / OFF	
Alarm	Alarm Source: Terminal input, VMD, Command alarm	
Alarm Actions	Preset position 1 ~ 4, Coaxial output, RS-485 output	
Input/Output	Video Output: 1.0 V [p-p] / NTSC composite 75 Ω / BNC Connector, Multiplexed VD2 and control data capable	
RS-485 Control IF	1x RS-485 (RJ-11), 2/4wire, Full/Half duplex	
External I/O Terminals	4 inputs (ALARM IN 1 ~ ALARM IN 4), 2 outputs (ALARM/AUX1, AUX2)	
General	Setup Method: OSD setup menu	
Password Lock	ON / OFF	
Language	English	
Safety/EMC Standard	UL (6500), FCC (Part15 ClassA), C-UL (E60065)	CE (EN60065, EN55022 ClassB, EN55024), GOST (GOST R 51558)
Power Source and Power Consumption	24 V AC, 60 Hz, 13 W	WV-CS570: 220 ~ 240 V AC, 50 Hz, 15 W WV-CS574: 24 V AC, 50 Hz, 13 W
Ambient Operating Temperature	-10 °C ~ +50 °C (14 °F ~ 122 °F)	
Ambient Operating Humidity	90 % or less (without condensation)	
Dimensions	ø120 mm x 191 mm (H) (ø4-3/4" x 7-1/2" (H))	
Weight (approx.)	2 kg (4.4 lbs.)	

Part Names and Functions



Appearance



Important

– Safety Precaution: carefully read the operating instructions and installation manual before using this product.

DISTRIBUTED BY:

- All TV pictures are simulated.
- Weights and dimensions are approximate.
- Specifications are subject to change without notice.
- These products may be subject to export control regulations.
- All product pictures are NTSC models.

Panasonic[®]

<http://panasonic.net/security/>

Printed in Japan (2A-028AA)