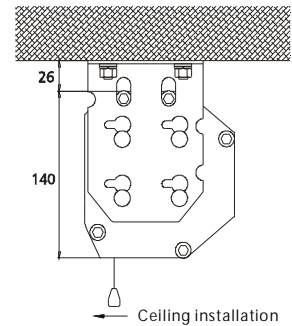
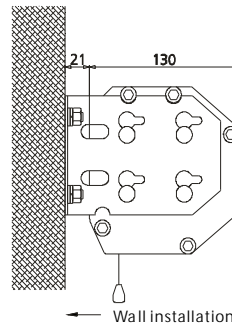
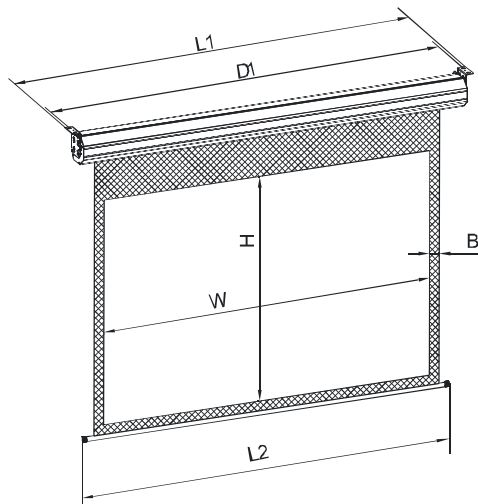


Zergion Engineering Motorized Screen Size

Type	Size(Inch)	View Area	Border(B)	Length(L1)	Assemble Distance(D1)	Package Volume	GW
		W×H(mm)	(mm)	(mm)	(mm)	W×H×L(mm)	(KG)
SQUARE FORMAT (1:1)							
EZ1120	10' × 10'	2948 × 2948	50	3332	3302	250 × 255 × 3630	71.00
EZ1144	12' × 12'	3558 × 3558	50	3942	3912	250 × 255 × 4240	85.00
EZ1168	14' × 14'	4267 × 4267	75	4701	4671	250 × 255 × 4998	100.00
EZ1192	16' × 16'	4877 × 4877	75	5311	5281	250 × 255 × 5608	110.00
VIDEO FORMAT (4:3)							
EZ3180	180"	3558 × 2668	50	3942	3912	250 × 255 × 4240	75.00
EZ3200	200"	3964 × 2973	50	4348	4318	250 × 255 × 4645	82.50
EZ3210	210"	4267 × 3200	75	4701	4671	250 × 255 × 4998	89.00
EZ3240	240"	4877 × 3658	75	5311	5281	250 × 255 × 5608	98.00
EZ3250	250"	4930 × 3698	75	5364	5334	250 × 255 × 5660	103.00
EZ3300	300"	5946 × 4460	75	6380	6350	250 × 255 × 6675	122.00



SCREEN PRO®

<http://www.samsav.com>

SHENZHEN SAMS AVTECH Co., Ltd

2/F., Block H, 1st Phase, Guanlong Industrial Area,

XiLi Nanshan District, Shenzhen, China.

Tel: (86)-0755-26518758

Fax: (86)-0755-86114370

E-mail: marketing@samsav.com



ENGINEERING APPLICATION SERIES



ZERGION

Deluxe Engineering Motorized Screen

Large surface, Great view.
SCREENPRO large dimension motorized screen is mainly designed for multi-purpose rooms, conference rooms and amphitheatres etc where large dimension screen is required. Strong aluminum case for effective screen protection, patented access case design provides ready install and use as well

Zergion Engineering Motorized Screen



Ideal For

SCREENPRO ENGINEERING SCREEN is specially designed for HD presentation

Professional film

Stage

Conference

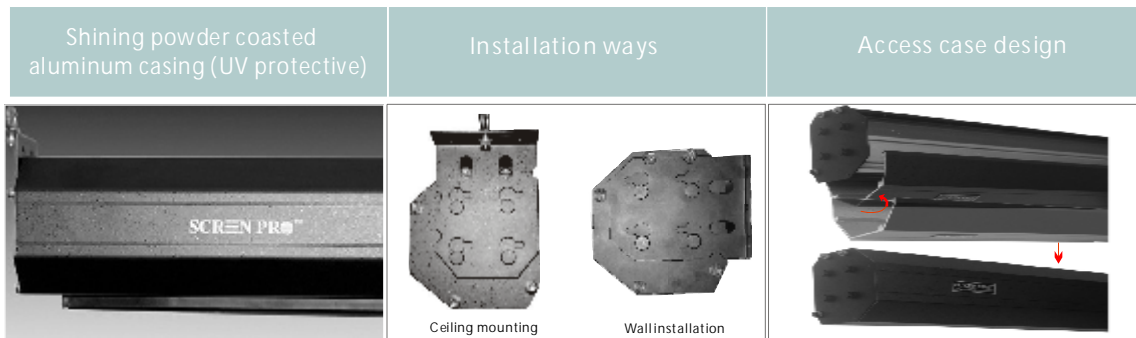
Available size :SQ120" ~144" VS180" ~300"

Fabric Options:

Z	High resolution fiber glass matte white	M	Matte White fabric with glass fiber layer
J	Matte Grey fabric with glass fiber layer		

Features:

- ⊙ Patented access case design composed of two pieces of aluminum case, the front piece can be easily opened to change fabric or motor.
- ⊙ Assembling plate can be rotated to cooperate with different assembling method (ceiling or wall)
- ⊙ Concise design for large scale projection sites, high strong engineering casing together with oversize spiral aluminum rod to stand the heavy strength and assure mirror like surface.
- ⊙ World class viewing experience.
- ⊙ UV protective shining powder coated aluminum casing provides elegant appearance and scratch free.
- ⊙ Quiet tubular motor system provide overheat protective function to prolong the life of screen.
- ⊙ Precisely automatic shutdown at the limited position by integrated limited position stopper.
- ⊙ Radio remote control with learn cord function and preset laser pointer function on remote handset.
- ⊙ Premium high resolution fabric keep your image as clear and vivid as it could be.
- ⊙ High elastic fabric(0.43mm thickness), RoHS standard, excellent physical characters in ductibility and elastic ability between -15°C to 45°C .
- ⊙ Fabric is UV protective, anti-static, cleanable, Mildew resistant and flame retardant.



PN:ZL200730171721.X



Super size

V8300" seamless

